

G9341 Stainless Steel 316 Adjustable Draw Latch

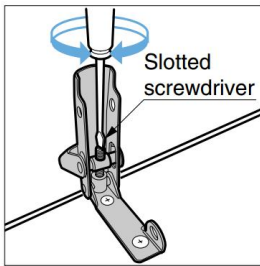
Features

- Clean appearance
- Concealed mounting screws prevents vandalism
- Can be used with padlock
- Clamping margin is adjustable

Recommended Screws

- **G934151, G934152:** M4 countersunk head screw (for body), M4 truss head screw (for strike)
- **G934161, G934162:** M5 countersunk head screw

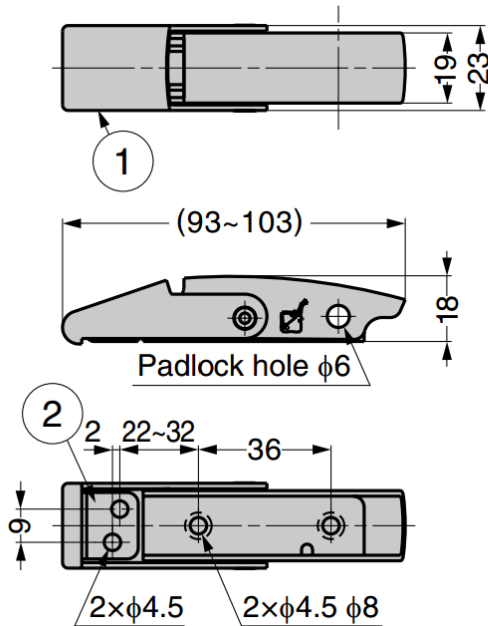
Adjustment



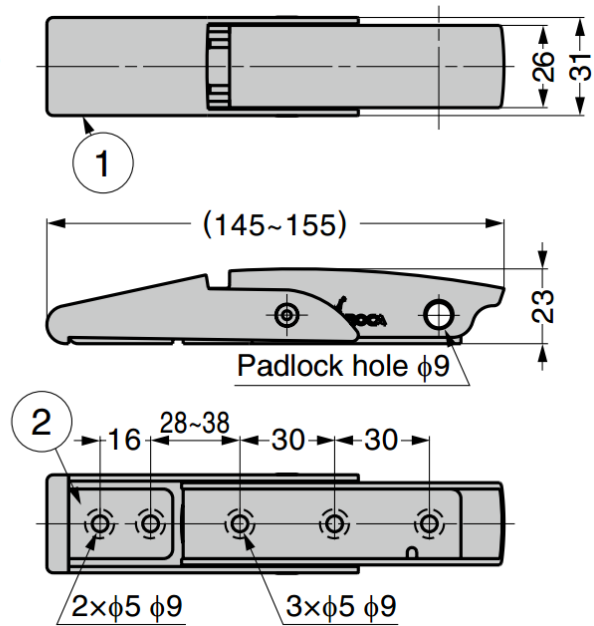
Application Example



No.	Part Name	Material	Finish
①	Body	Stainless Steel	Polished, Satin
②	Strike	(SUS316)	Barrel Polished



G934151, G934152



G934161, G934162

Part No.	Finish	Load Capacity	
G934151	Polished	1,000 N	102 kg
G934152	Satin		
G934161	Polished	1,500 N	153 kg
G934162	Satin		